

# A2018 Triple Balanced Mixer

2.0 to 18.0 GHz

## Technical Characteristics

Product Features
Multi-octave bandwidth
Broad frequency - input and output
Wide DC to IF frequency response
Low conversion loss
High port-to-port isolation

Maximum Ratings	
Storage Temperature	-65 to +100°C
Operating Temperature Peak	-54 to +100°C
Peak Input Power For Any Port	+24dBm Peak
Specifications @	25°C

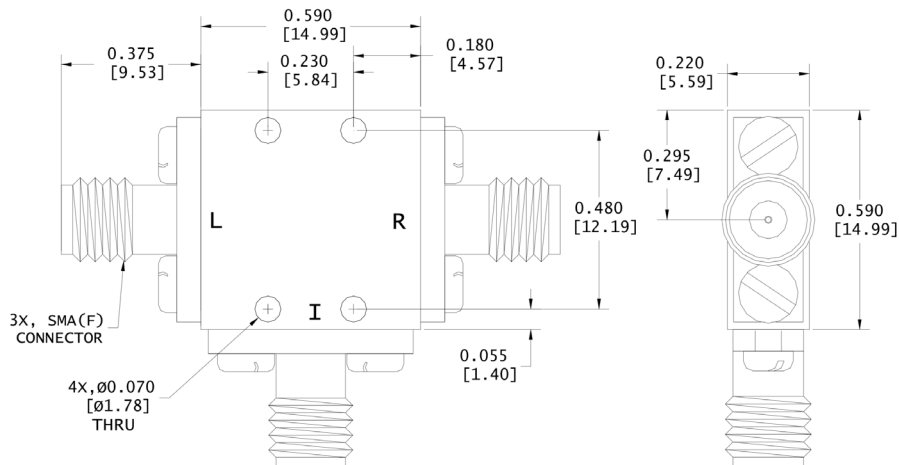
Parameters	Freq. (GHz)	Minimum	Typical	Maximum	Units	Conditions
<b>Conversion Loss</b>						
RF Input	2.0 to 18.0		7.5	9.0	dB	
LO Input	2.0 to 18.0					
IF Output	2.0 to 8.0					
<b>Isolation</b>						
LO-RF		18.0	25.0		dB	
LO-IF		18.0	24.0		dB	
RF-IF			25.0		dB	
VSWR			2.5:1			
1dB Comp.Point						
LO Drive A2018M			10.0	14.0	dBm	
3rd Order Intercept Point A2018M			14.0		dBm	
A2018N			18.0		dBm	

### NOTES:

1. Measured in a 50-ohm system with nominal LO drive and downconverter application only, unless otherwise specified. The I-Port frequency range extends to DC for phase detection, pulse modulation, or attenuator applications. I-Port VSWR degrades from a 50-ohm system at low IF frequencies.

2. Typical values are measured at +25°C and are not guaranteed.

### Package outline 'Z'



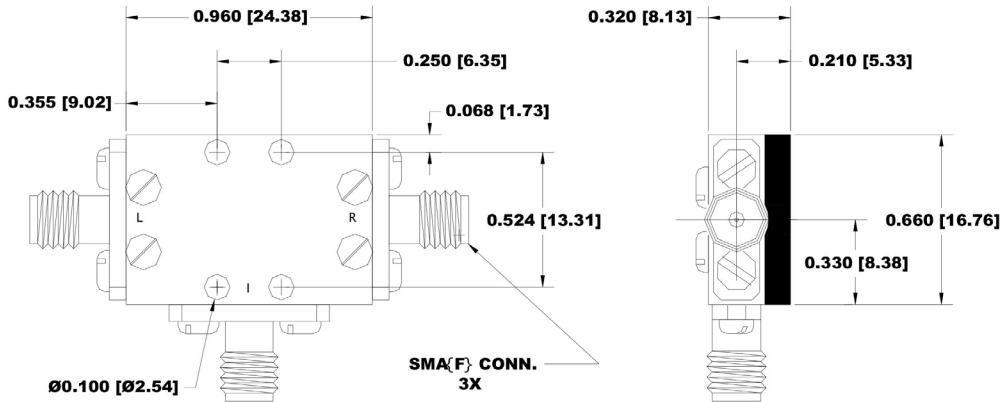
DISCLAIMER: Subject to change without notice.  
Rev(B) 03/12/19

# A2018 Triple Balanced Mixer

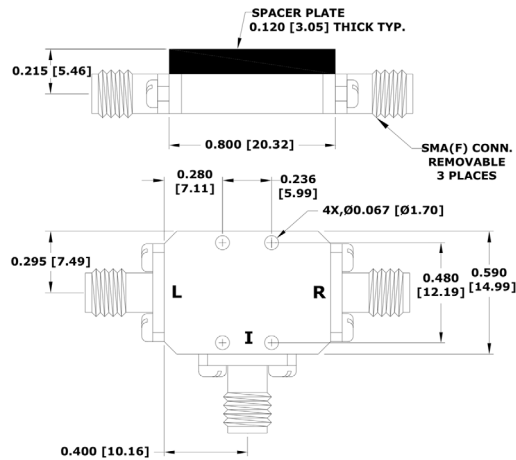
2.0 to 18.0 GHz

## Outline Drawings 1 of 2

### Package outline 'B'



### Package outline 'L'



### Drop in Package outline 'E1'

